

3 1/2" W X 10" D X 12" H CLARKSVILLE BRACKET

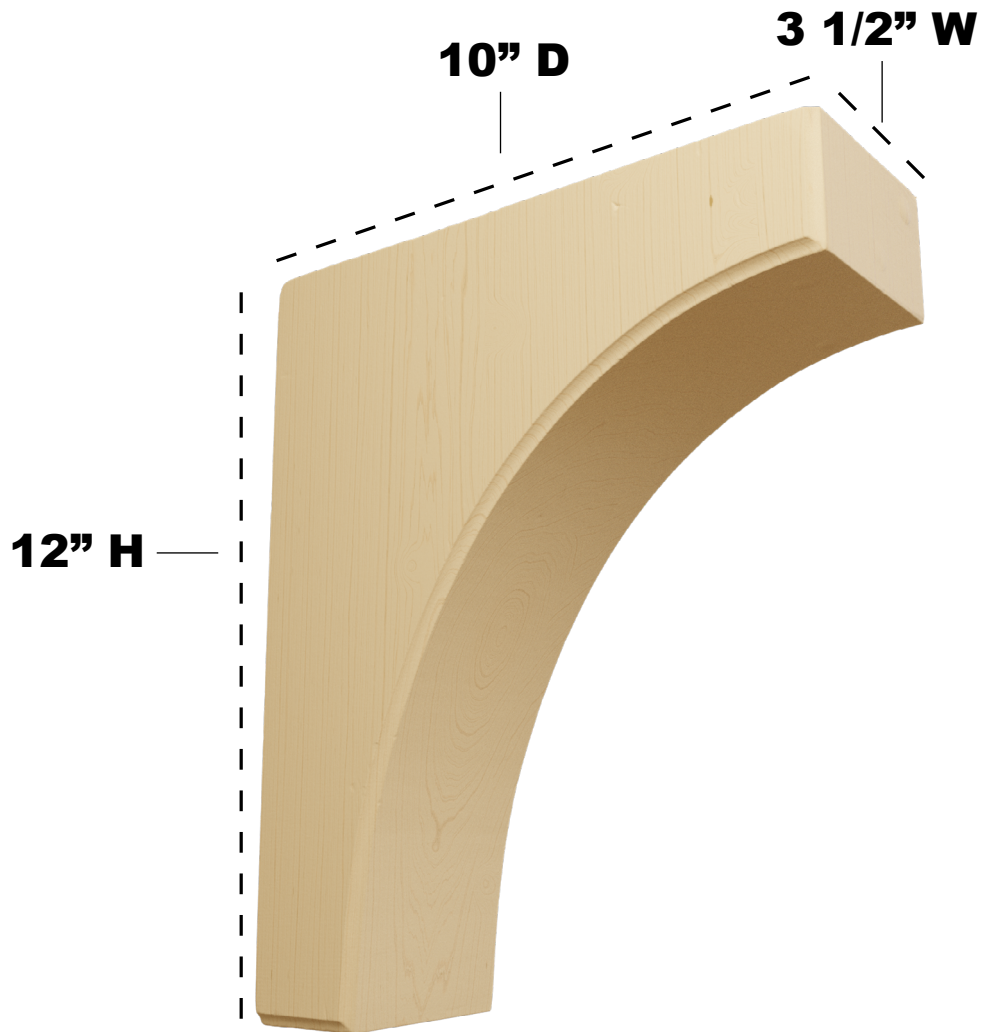
ITEM NO.: BKTW04X10X12CV



FRONT VIEW



PROFILE VIEW



**AVAILABLE
WOOD
SPECIES:**



ALDER



CHERRY



MAPLE



RED OAK



MAHOGANY



WALNUT



RUBBERWOOD



EKENA
MILLWORK

P: 866.607.0453 | F: 866.591.3143

2300 W. Main St. | Clarksville, TX 75426

sales@ekenamillwork.com | www.ekenamillwork.com